

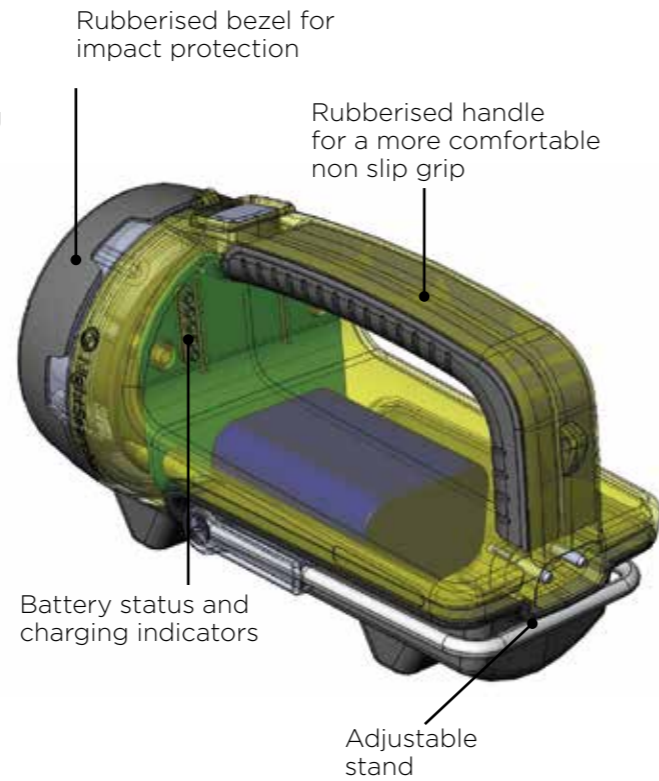
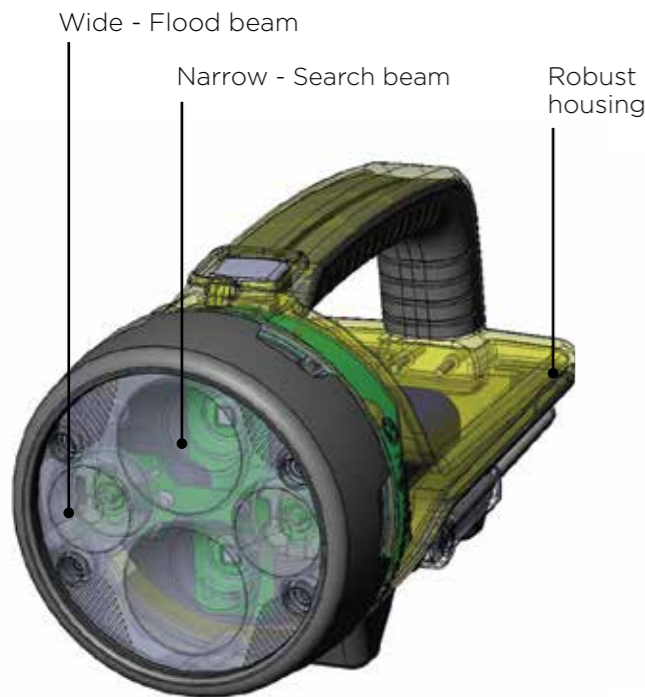
NEW HawkStar & HawkStar-X

NEW HawkStar & HawkStar-X



Isle Of Wright Needles NCI
- National Coast Watch

Forensic Collision Investigation Unit



HAWKSTAR

	BOOST	SEARCH	FLOOD
LIGHT OUTPUT	2,500 LUMENS	1,250 LUMENS	1,000 LUMENS
Beam	400 METRES		
Runtime	3hrs 30min	7hrs	6hrs 30min
RECHARGEABLE LITHIUM BATTERY	CHARGING TIME 6.5HRS	IP67 RATING	DIMENSIONS 250mm x125mm x120mm
			1kg

HAWKSTAR-X

	BOOST	SEARCH	FLOOD
LIGHT OUTPUT	4,200 LUMENS	2,200 LUMENS	2,000 LUMENS
Beam	600 METRES		
Runtime	4hrs 30min	7hrs 15min	7hrs 30min
RECHARGEABLE LITHIUM BATTERY	CHARGING TIME 6.5HRS	IP67 RATING	DIMENSIONS 250mm x125mm x120mm
			1.1kg

PRODUCT CODE: NSHAWKSTAR

Supplied with: Charging Bracket and Vehicle Charger

PRODUCT CODE: NSHAWKSTAR-X

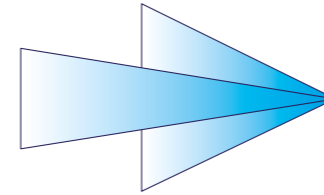
Optional accessories:



Professional Rechargeable LED Searchlight, 4200 lumens

The HawkStar range of searchlights have been designed and engineered by NightSearcher to satisfy the high standard required by emergency services, search & rescue teams and industrial sectors. Utilising high lumen output LEDs, specially designed reflectors and optics, both models offer wide and narrow light beams, making them ideal for long distance searching or flood lighting wider areas. The HawkStar has been designed to survive a 70 mph crash, as tested by the Institute of Traffic Accident Investigators.

3 Beams:
Narrow, Wide or Boost



3 YEAR WARRANTY



Wall & vehicle mountable charging bracket with quick release lever.



Video link



Adjustable Stand

KEY FEATURES:

- Designed to be used in Emergency Service Vehicles
- Light power 4,200/2,500 lumens
- Wide angle Flood or Narrow angle Search beam
- Multiple brightness levels and Dimmable
- 7.4V 6.6/10.2Ah Li-ion maintenance free battery
- 9 Light modes with up to 30 hours operation
- Max beam distance 600 metres
- Battery status and charging indicator
- Fits securely in charging bracket - Crash tested at 70MPH (112KPH)
- Quick release from bracket for fast and easy deployment
- Rubberised handle for comfortable non slip grip
- One hand operation
- Comfortable shoulder strap
- 6 Hours charging time
- Robust housing
- Anti slip rubberised base with built in stability

DESIGNED TO SURVIVE A 70 MPH CRASH AS TESTED BY THE INSTITUTE OF TRAFFIC ACCIDENT INVESTIGATORS

The searchlight and cradle assembly has been designed and tested to withstand a car crash. It passed tests undamaged and worked perfectly when crash tested at 70mph by the Institute of Traffic Accident Investigators.

